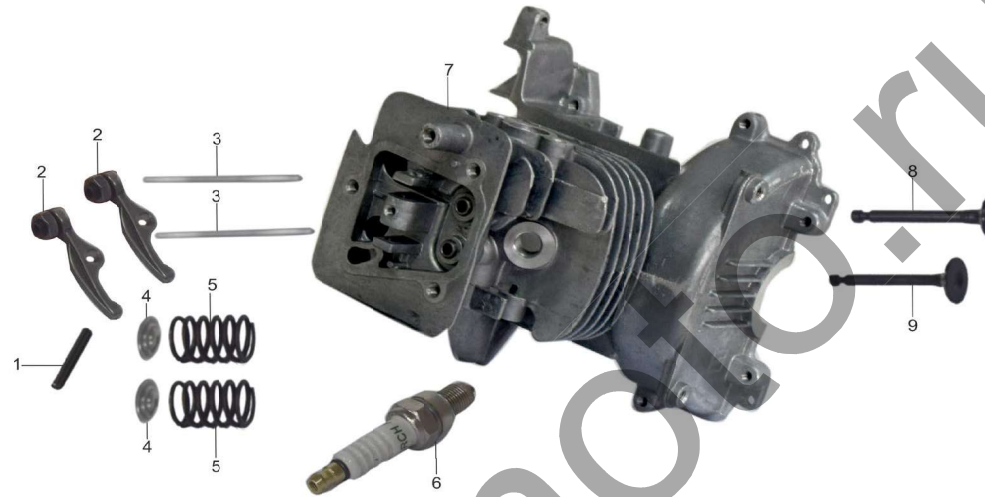


# LF139F-2产品图册



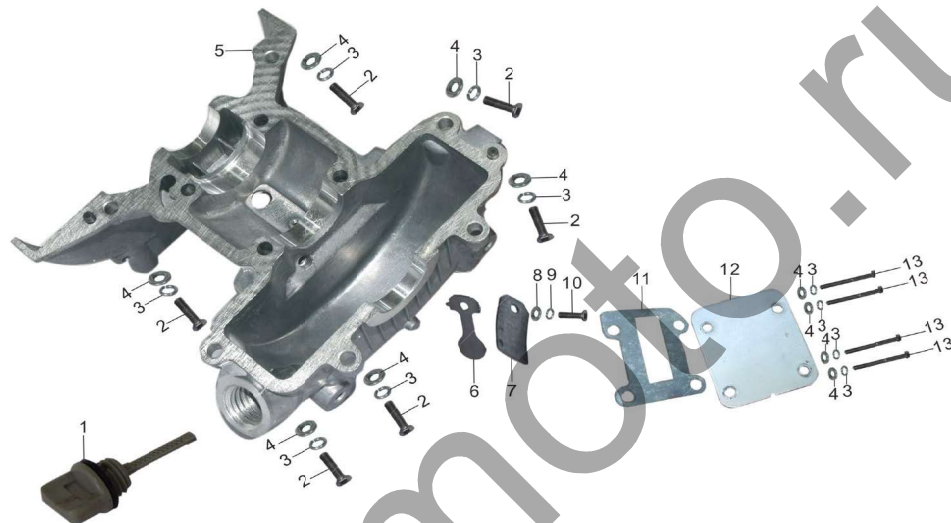
Lifan-mo.ru

E-1 曲轴箱总成 CRANKCASE ASSY



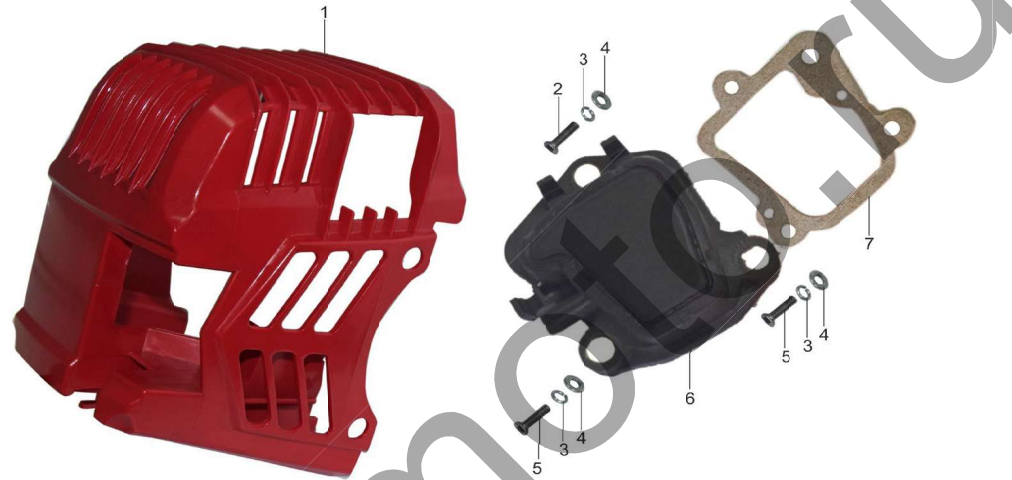
Id	PartNo	PartName	Description	Quantity	Price
E01-1	14316-A0210-0001	摇臂轴	Rocker shaft	1	
E01-2	14310-A0210-0001	气门摇臂装配组合	Valve rocker assy	2	
E01-3	14211-A0210-0001	推杆	Pusher	2	
E01-4	14413-A0210-0001	气门弹簧座 (一)	Spring set, valve	2	
E01-5	14414-A0210-0001	气门弹簧	Valve spring	2	
E01-6	27100-A0210-0001	火花塞组合	Spark plug	1	
E01-7	11110-A0220-0001	曲轴箱组件	Crankcase	1	
E01-8	14412-A0210-0001	排气门	Exhaust valve	1	
E01-9	14411-A0210-0001	进气门	Intake valve	1	

E-2 下曲轴箱组合 SUMP ASSY



Id	PartNo	PartName	Description	Quantity	Price
E02-1	15510-A0710-0009	机油尺组件	Dipstick with seal	1	
E02-2	T134-0036	六角头螺栓GB/T5783 M5×18	Bolt M5×18mm	6	
E02-3	T441-0006	弹簧垫圈GB/T93 内径:5mm;	Spring washer 5mm	10	
E02-4	T411-0005	平垫圈GB/T97.1内径:5mm;	Washer 5mm	10	
E02-5	11180-A0220-0001	下曲轴箱组件	Crankcase assy	1	
E02-6	12238-A0220-0001	呼吸器阀门	Respirator valve	1	
E02-7	12237-A0220-0001	呼吸器阀门压板	Plate, respirator valve	1	
E02-8	T411-0017	平垫圈GB/T97.1 内径:4mm;	Washer 4mm	1	
E02-9	T441-0005	弹簧垫圈GB/T93内径:4mm;	Spring washer 4mm	1	
E02-10	T210-0004	螺钉GB/T818 M3×8	BoltM3×8	1	
E02-11	11183-A0210-0001	下密封板垫片	Gasket, bottom sealplate	1	
E02-12	11182-A0210-0001	下密封板	Bottom sealplate	1	
E02-13	T133-0001	六角头螺栓GB/T5782 M5×55	Bolt M5×55mm	4	

E-3 导风罩、气缸头组件  
FLOW GUARD & CYLINDER HEAD COVER ASSY



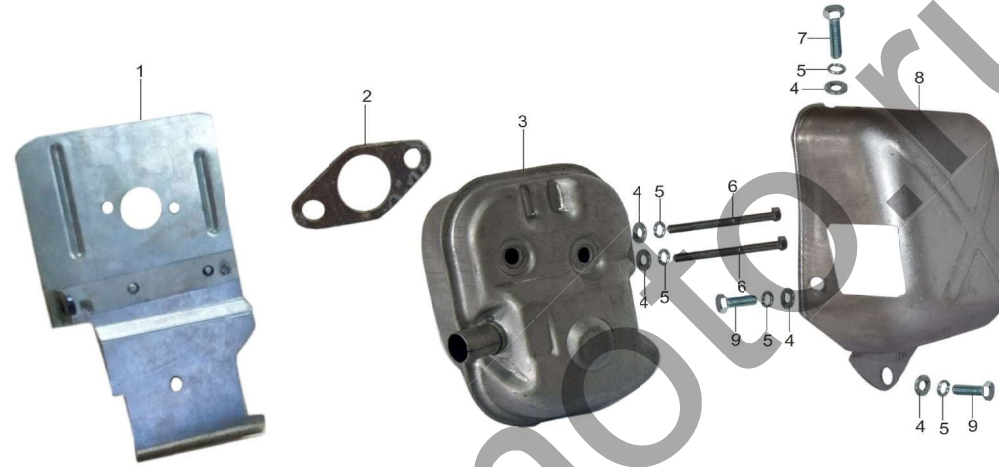
Id	PartNo	PartName	Description	Quantity	Price
E03-1	19170-A0220-0001	导风罩组合	Wind scooper assy	1	
E03-2	T134-0035	六角头螺栓GB/T5783 M5×14	Bolt M5×55mm	1	
E03-3	T441-0006	弹簧垫圈GB/T93 内径:5mm;	Spring washer 5mm	3	
E03-4	T411-0005	平垫圈GB/T97.1 内径:5mm;	Washer 5mm	3	
E03-5	T134-0039	六角头螺栓GB/T5783 M5×22	Bolt M5×22mm	2	
E03-6	12200-A0210-0001	气缸头盖组合	Cylinder cover	1	
E03-7	12212-A0210-0001	气缸头盖密封圈	Gasket, cylinder cover	1	

E-4曲轴活塞连杆总成  
CRANKSHAFT, PISTON. &CONNECTING ROD



Id	PartNo	PartName	Description	Quantity	Price
E04-1	13400-A0210-0001	活塞环组合	Piston ring set	1	
E04-2	13313-A0210-0001	活塞销挡圈	Piston pin circlip	2	
E04-3	13311-A0220-0001	活塞	Piston	1	
E04-4	13312-A0210-0001	活塞销	Piston pin	1	
E04-5	11120-A0210-0001	曲轴油封组件(一)	Oil seal, crankshaft(1)	1	
E04-6	13112-A0220-0001	输入端半圆键	Woodruff key	1	
E04-7	13100-A0220-0001	曲轴连杆组合	Crankshaft & connecting rod	1	
E04-8	11320-A0210-0001	曲轴油封组件(二)	Oil seal, crankshaft(2)	1	

E-5 消声器组件 MUFFLER



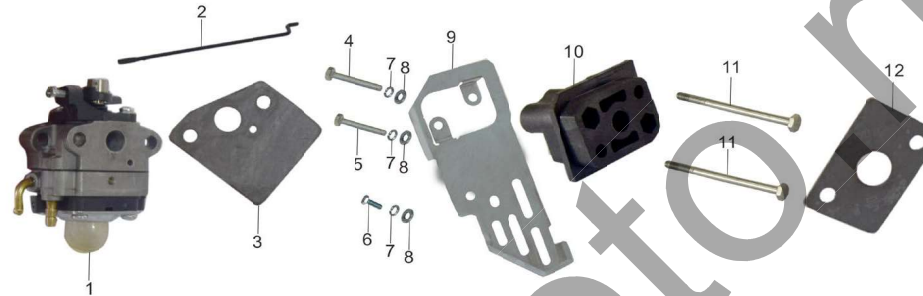
Id	PartNo	PartName	Description	Quantity	Price
E05-1	19315-A0210-0001	曲轴箱侧板 (二)	Side plate, crankcase(2)	1	
E05-2	18217-A0210-0001	消声器垫片	Gasket, muffler	1	
E05-3	18100-A0210-0001	消声器(内胆)组合	Muffler assy(inner)	1	
E05-4	T411-0005	平垫圈GB/T97.1 内径:5mm;	Washer 5mm	5	
E05-5	T441-0006	弹簧垫圈GB/T93 内径:5mm;	Spring washer 5mm	5	
E05-6	T133-0001	六角头螺栓GB/T5782 M5×55	Bolt M5×55	2	
E05-7	T134-0035	六角头螺栓GB/T5783 M5×14	Bolt M5×14	1	
E05-8	18138-A0210-0001	消声器外罩	Muffler cover	1	
E05-9	T134-0002	六角头螺栓GB/T5783 M5×10	Bolt M5×10	2	

E-6 飞轮、离合器组合 FLYWHEEL



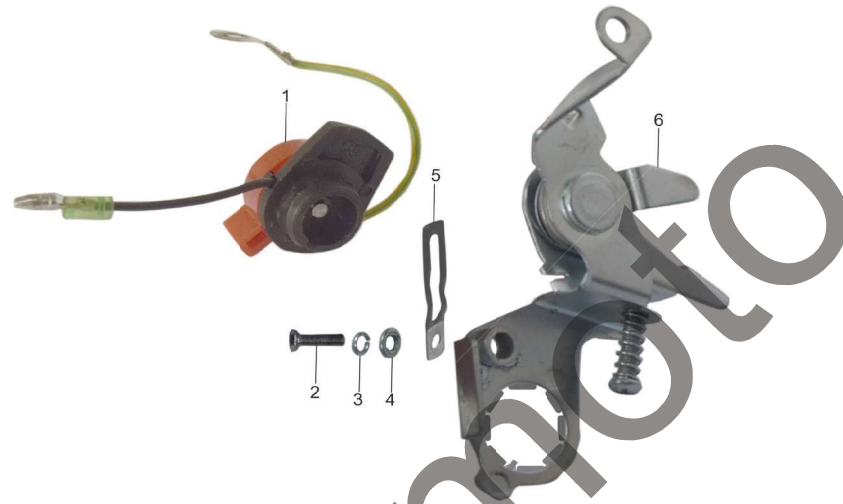
Id	PartNo	PartName	Description	Quantity	Price
E06-1	23300-A0220-0001	飞轮组件	Flywheel assy	1	
E06-2	27200-A0210-0001	点火线圈组合(一)	Ignition coil assy	1	
E06-3	T411-0005	平垫圈GB/T97.1 内径:5mm;	Washer 5mm	6	
E06-4	T441-0006	弹簧垫圈GB/T93 内径:5mm;	Spring washer 5mm	6	
E06-5	T134-0036	六角头螺栓GB/T5783 M5×18	Bolt M5×18	2	
E06-6	23317-A0210-0001	飞轮螺母	Nut, flywheel	1	
E06-8	21100-A0210-0001	离合器组件	Clutch assy	1	
E06-11	T510-0003	圆柱销GB/T119	Pin	2	
E06-12	23318-A0220-0001	飞轮罩	Flywheel cover	1	
E06-13	T134-0039	六角头螺栓GB/T5783 M5×22	Bolt M5×22	4	

E-7 化油器总成 CARBURETOR ASSY



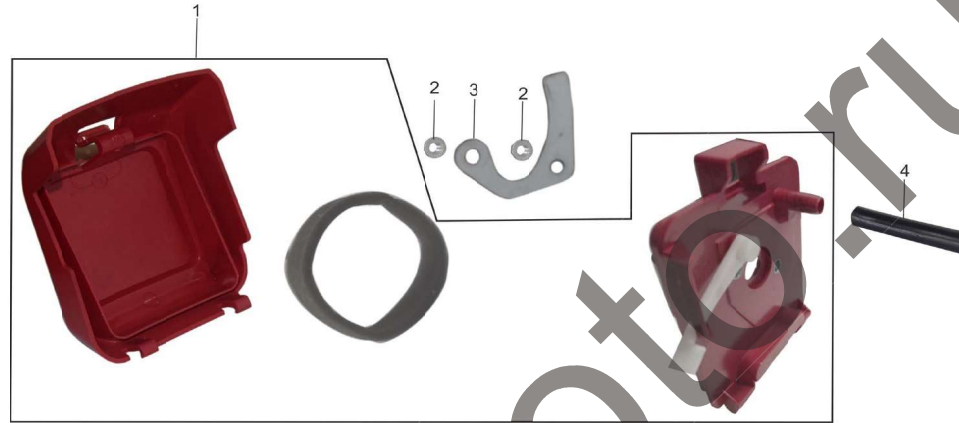
Id	PartNo	PartName	Description	Quantity	Price
E07-1	16100-A0220-0001	化油器总成	Carburetor assy	1	
E07-2	26115-A0210-0001	调速拉杆	Pulling rod	1	
E07-3	16113-A0210-0001	化油器垫片	Gasket, carburator	1	
E07-4	T134-0038	六角头螺栓GB/T5783 M5×35	Bolt M5×35	1	
E07-5	T134-0037	六角头螺栓GB/T5783 M5×32	Bolt M5×32	1	
E07-6	T134-0002	六角头螺栓GB/T5783 M5×10	Bolt M5×10	1	
E07-7	T441-0006	弹簧垫圈GB/T93 内径:5mm;	Spring washer 5mm	3	
E07-8	T411-0005	平垫圈GB/T97.1 内径:5mm;	Washer 5mm	3	
E07-9	19311-A0210-0001	曲轴箱侧板(一)	Side plate, crankcase(1)	1	
E07-10	16122-A0210-0001	化油器接块	Connecting block, carburetor	1	
E07-11	17117-A0210-0001	空滤器螺栓 M5×75	Bolt M5×75	2	
E07-12	17219-A0210-0001	进气口垫片	Inlet gasket	1	

E-8 熄火开关、调速支架组合 REGULATING CONTROL SYSTEM



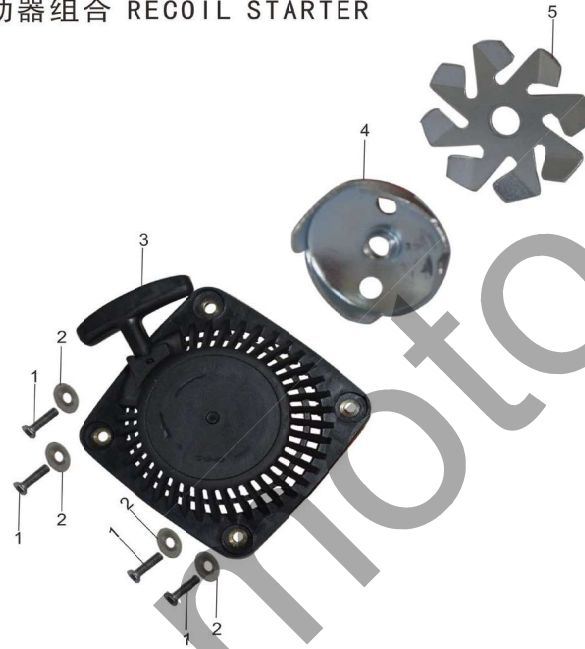
Id	PartNo	PartName	Description	Quantity	Price
E08-1	27300-A0410-0001	熄火开关组合	Motor switch assy	1	
E08-2	T134-0036	六角头螺栓GB/T5783 M5×18	Bolt M5×18	1	
E08-3	T441-0006	弹簧垫圈GB/T93 内径:5mm;	Spring washer 5mm	1	
E08-4	T411-0005	平垫圈GB/T97.1 内径:5mm;	Washer 5mm	1	
E08-5	19316-A0730-0001	固线卡	Clip	1	
E08-6	26200-A0210-0001	调速支架组合	Regulating frame assy	1	

E-9 空气滤清器总成 CLEANER-AIR ASSY



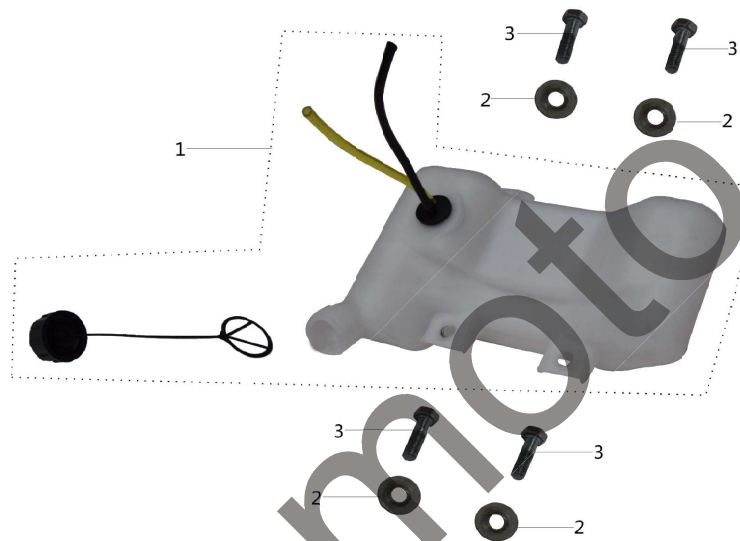
Id	PartNo	PartName	Description	Quantity	Price
E09-1	17100-A0220-0001	空滤器总成	Air cleaner assy	1	
E09-2	T314-0006	螺母GB/T6187.1	Nut	2	
E09-3	17133-A0210-0001	挡气片	Air block plate	1	
E09-4	11513-A0210-0001	通气管	Pipe	1	

E-10 反冲起动器组合 RECOIL STARTER



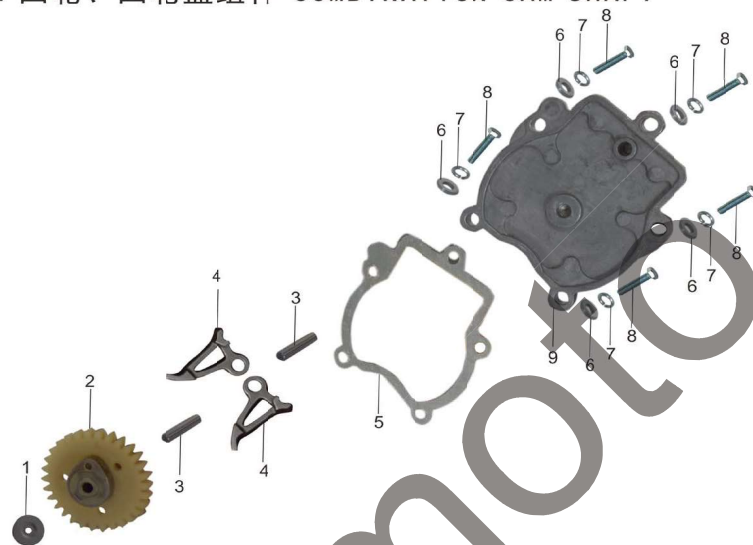
Id	PartNo	PartName	Description	Quantity	Price
E10-1	T134-0036	六角头螺栓GB/T5783 M5×18	Bolt M5×18	4	
E10-2	T415-0003	大垫圈GB/T96.1	Washer	4	
E10-3	23100-A0220-0001	反冲起动器总成	Recoil starter assy	1	
E10-4	23316-A0220-0001	起动套	Starting flange	1	
E10-5	19119-A0210-0001	风扇	Fan	1	

E-11 燃油箱组成 FUEL TANK ASSY



Id	PartNo	PartName	Description	Quantity	Price
E11-1	16500-A0220-0001	燃油箱盖组合	Fuel tank assy	1	
E11-2	T415-0003	大垫圈GB/T96.1	Washer	4	
E11-3	T134-0035	六角头螺栓GB/T5783 M5×14	Bolt M5×14	4	

E-12 凸轮、凸轮盖组件 COMBINATION CAM SHAFT



Id	PartNo	PartName	Description	Quantity	Price
E12-1	14114-A0210-0001	凸轮轴垫片	Washer, camshaft	1	
E12-2	14111-A0220-0001	凸轮轴	Camshaft	1	
E12-3	14512-A0210-0001	下摇臂轴	Bottom rockshaft	2	
E12-4	14511-A0210-0001	下摇臂	Bottom rocker	2	
E12-5	14131-A0210-0001	凸轮盖垫片	Gasket, cam cover	1	
E12-6	T411-0017	平垫圈GB/T97.1内径:4mm;	Washer 4mm	5	
E12-7	T441-0005	弹簧垫圈GB/T93 内径:4mm;	Spring washer 4mm	5	
E12-8	T134-0034	六角头螺栓GB/T5783 M4×16	Bolt M4×16	5	
E12-9	14132-A0210-0001	凸轮盖	Cam cover	1	